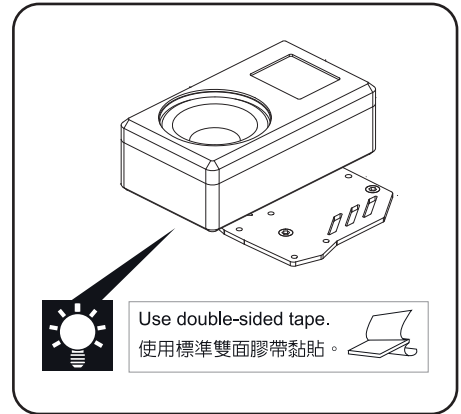
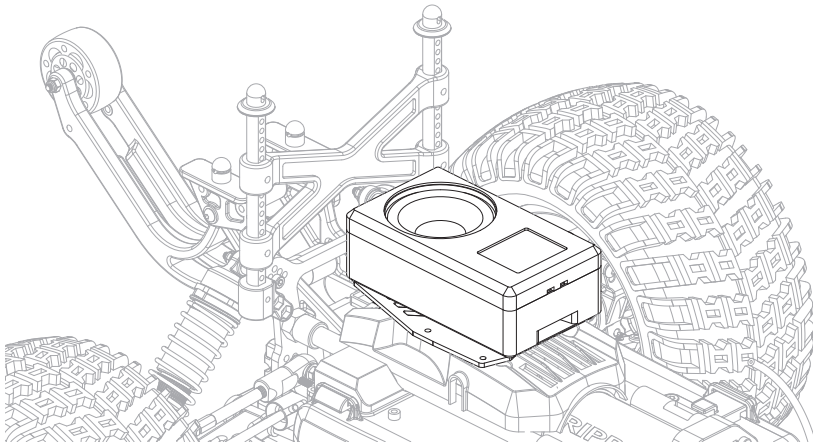


STEP1

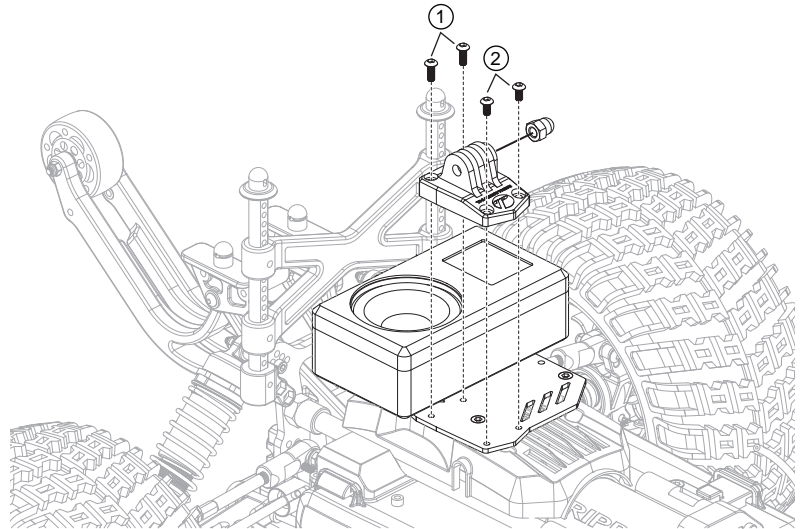
Change the direction of the Engine Sound Box.
請先將發聲器更換方向。



STEP2

Install the included GoPro mount to the Speaker Mount using four screws as shown.
請將GoPro固定座安裝至發聲器固定板上確實鎖固。

- ① 3 x 8 mm BHCS Screw 半圓頭內六角螺絲
- ② 3 x 6 mm BHCS Screw 半圓頭內六角螺絲



STEP3

Attach your GoPro to the GoPro mount with water proof case.
將GoPro組裝至固定座，把快拆螺栓確實鎖固。

Completed View 組裝完成

