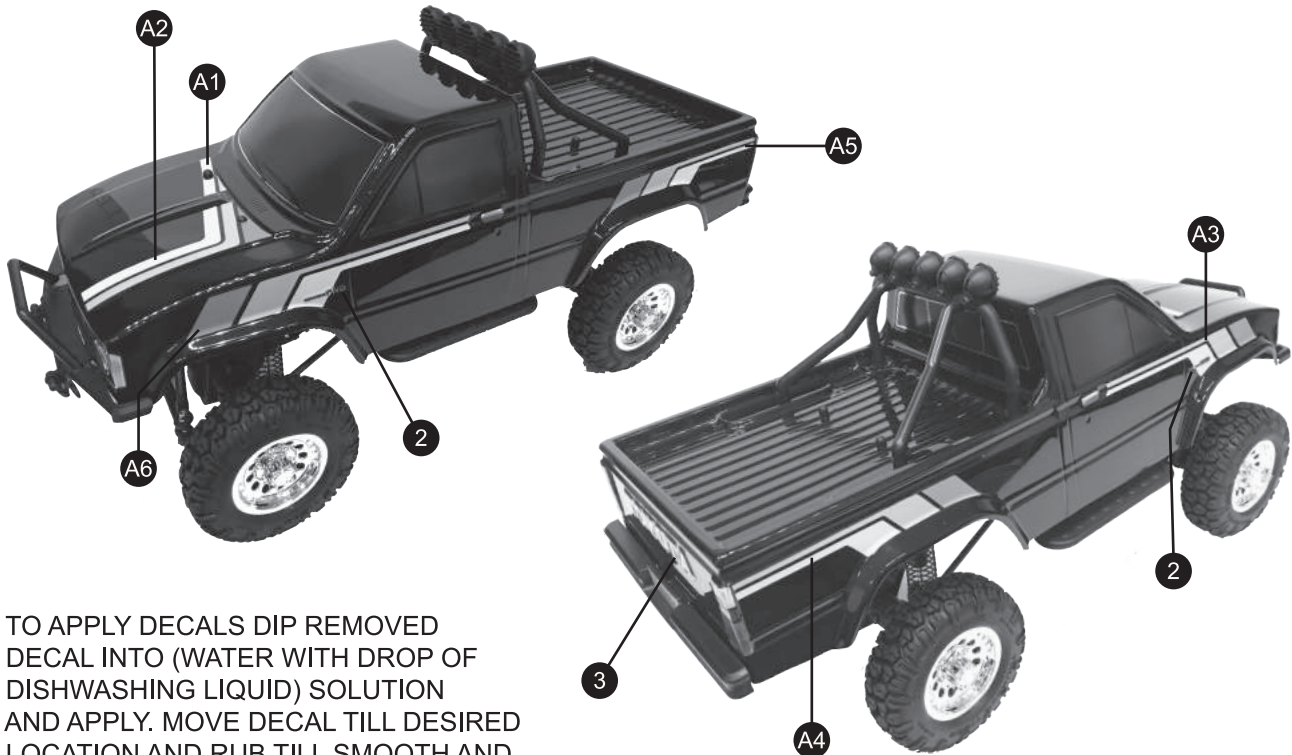
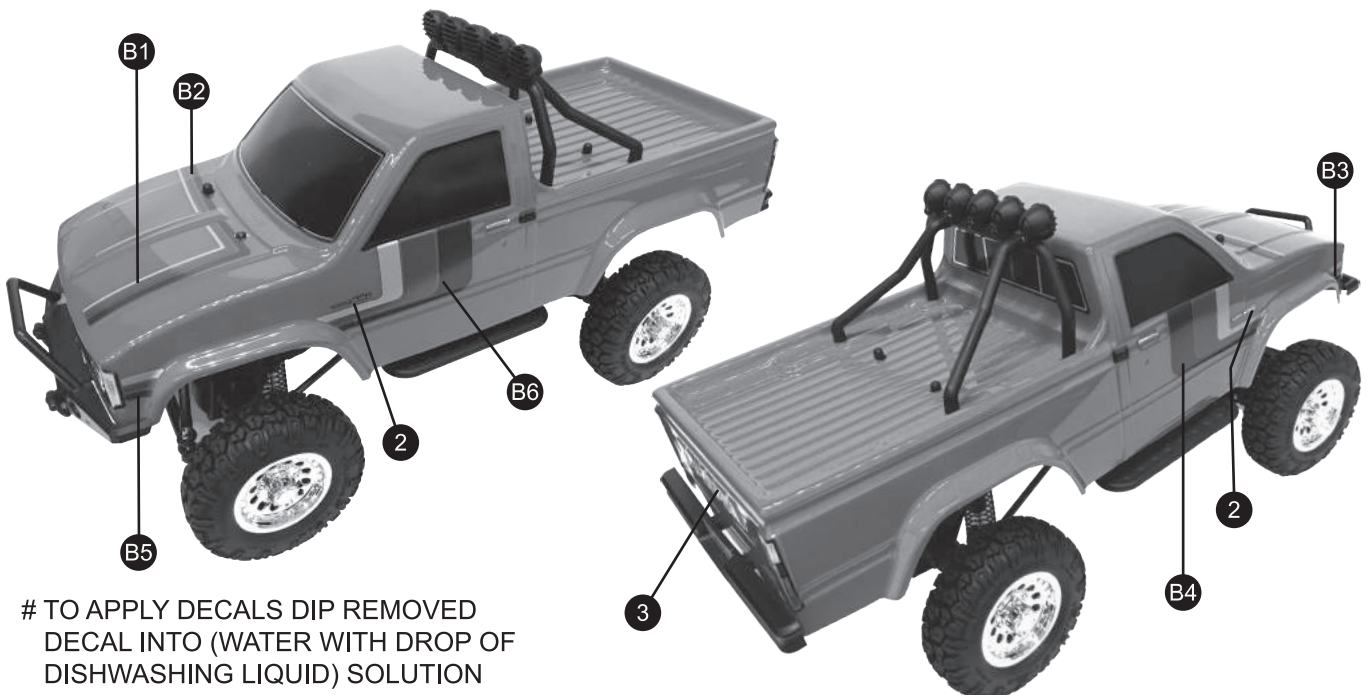


TYPE 1 DECAL APPLICATION INSTRUCTION



TO APPLY DECALS DIP REMOVED DECAL INTO (WATER WITH DROP OF DISHWASHING LIQUID) SOLUTION AND APPLY. MOVE DECAL TILL DESIRED LOCATION AND RUB TILL SMOOTH AND BUBLES DISAPPEAR.

TYPE 2 DECAL APPLICATION INSTRUCTION



TO APPLY DECALS DIP REMOVED DECAL INTO (WATER WITH DROP OF DISHWASHING LIQUID) SOLUTION AND APPLY. MOVE DECAL TILL DESIRED LOCATION AND RUB TILL SMOOTH AND BUBLES DISAPPEAR.