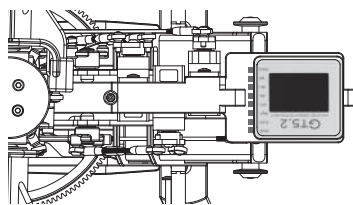
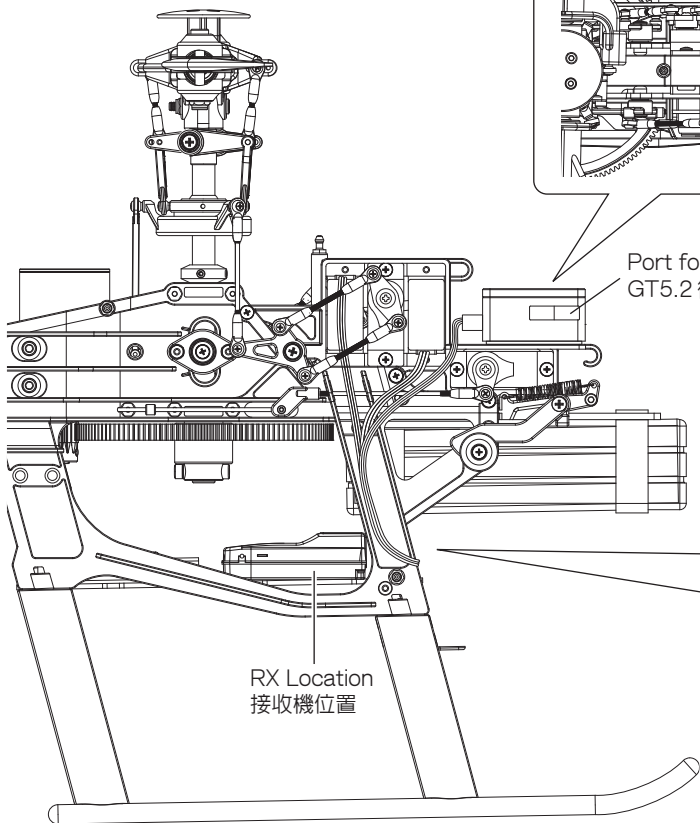


GT5.2 & RX LOCATION

陀螺儀 & 接收機位置



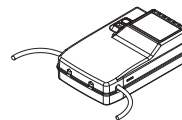
Connect the wires properly before securing the gyro in place. Please note the orientation and location of the gyro, avoid any contacts between the canopy and the gyro.

接線後固定GT5.2前，注意陀螺儀方向及固定位置，以免機殼干涉。

CONNECTION 接線方式

● Standard Receiver 標準接收機

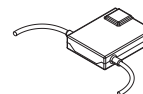
Please follow E300 manual in page 5 to connect the standard receiver properly.
接線方式請參照說明書第5頁。



● Satellite Receiver 衛星接收機 (JR · SPEKTRUM · DSM2 · DSMX)

In addition to the connection, requires to bind the satellite receiver. Please check GT5.2 manual for binding function.

除接線外，須再執行GT5.2對頻，雙擊
(請參考GT5.2說明書)。



● FUTABA S-bus 接收機

Please connect the S-bus wire to imp1 port.
請參照右圖連接位置。

